

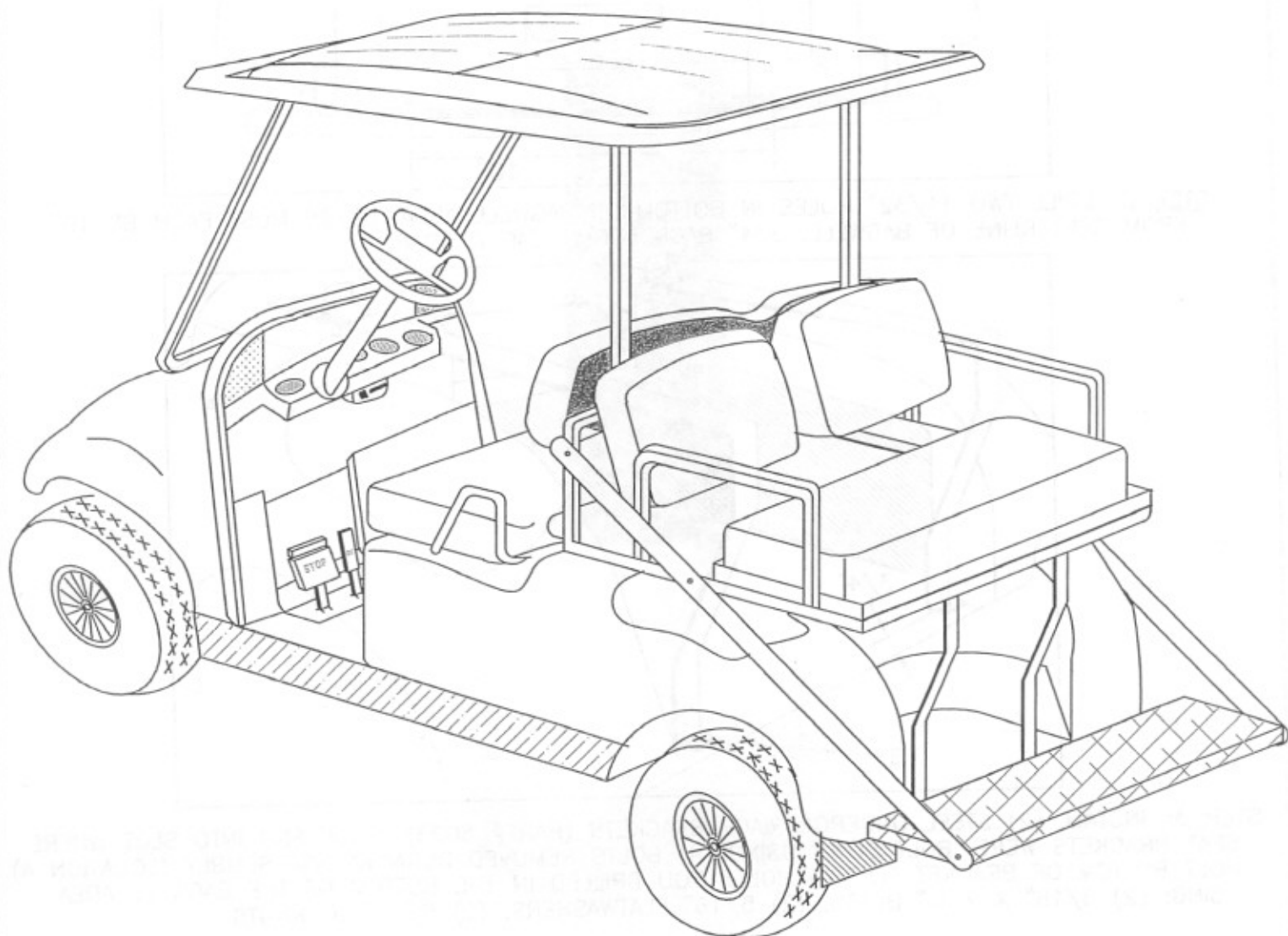
M&M VEHICLE CORP.

ECONOMY 4-PASSENGER PACKAGE

Part# EC275G4

YAMAHA- G-14-16-19-22

INSTALLATION INSTRUCTIONS



M & M VEHICLE CORP.

19873 Hwy 22 W. Mexico MO 65265
573-581-4914

TITLE:

EC275G4
INSTALLATION INSTRUCTIONS

NOTICE

THE INFORMATION CONTAINED HEREIN IS THE PROPERTY OF M & M VEHICLE CORP. AND IT SHALL NOT BE COPIED NOR USED IN ANY MANNER EXCEPT AS EXPRESSLY AUTHORIZED.

DRAWN BY:

RANDY HAERER

DATE:

AUG 3, 2006

DWG NO.

5038

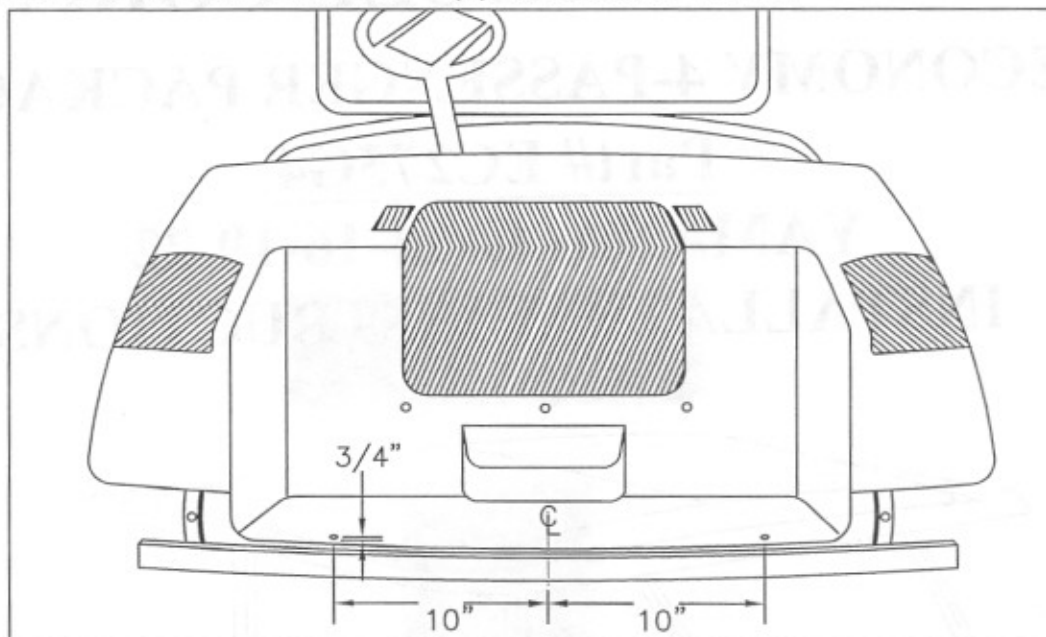
SHEET:

1 of 5

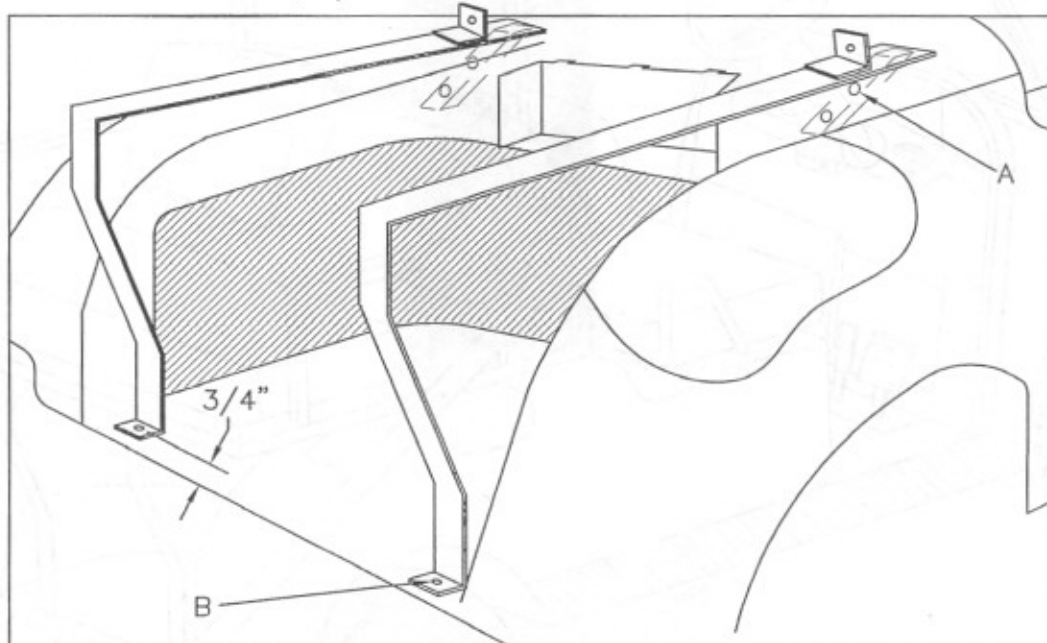
SCALE:

Not To Scale

STEP 1: REMOVE SEAT BACKS— (4) BOLTS.
 REMOVE SEAT BACK BRACKETS— (4) BOLTS SAVE BOLTS.



STEP 2: DRILL TWO 11/32" HOLES IN BOTTOM OF BAGWELL AREA, HOLES MUST EACH BE 10" FROM CENTERLINE OF BAGWELL, 3/4" BACK FROM REAR OF CAR.



STEP 3: INSTALL (2) STEEL UNDERCARRIAGE BRACKETS (PART# 5023), SLIDE END INTO SLOT WHERE SEAT BRACKETS WERE. BOLT DOWN USING (4) BOLTS REMOVED DURNING DISASSEMBLY (LOCATION A). BOLT BOTTOM OF BRACKET TO TWO HOLES YOU DRILLED IN THE BOTTOM OF THE BAGWELL AREA. USING: (2) 5/16" X 2 1/2" BOLTS, (2) 5/16" FLATWASHERS, (2) 5/16" LOCKNUTS

DO NOT TIGHTEN BOLTS TILL END OF ASSEMBLY!

M & M VEHICLE CORP.

19873 Hwy 22 W. Mexico MO 65265
 573-581-4914

TITLE:

EC275G4
 INSTALLATION INSTRUCTIONS

NOTICE

THE INFORMATION CONTAINED HEREIN IS THE PROPERTY OF M & M VEHICLE CORP. AND IT SHALL NOT BE COPIED NOR USED IN ANY MANNER EXCEPT AS EXPRESSLY AUTHORIZED.

DRAWN BY:

RANDY HAERER

DATE:

AUG 3, 2006

DWG NO.

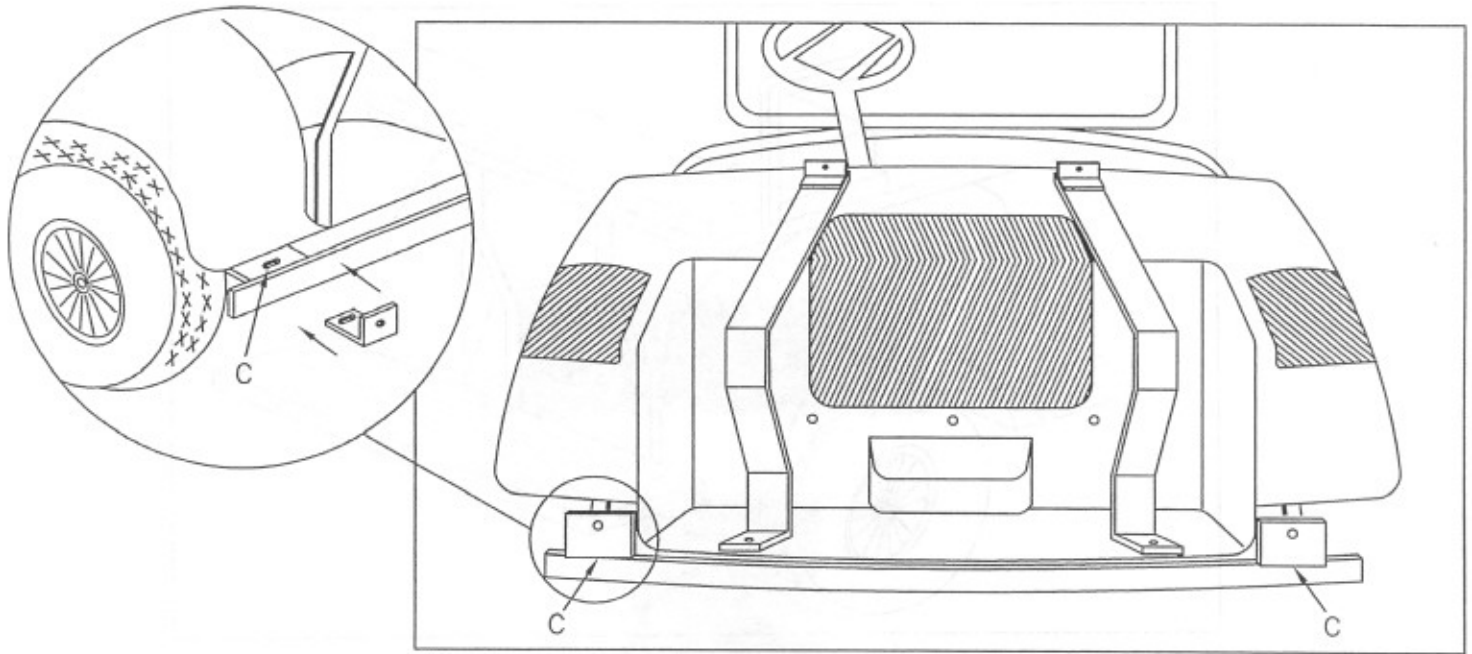
5038

SHEET:

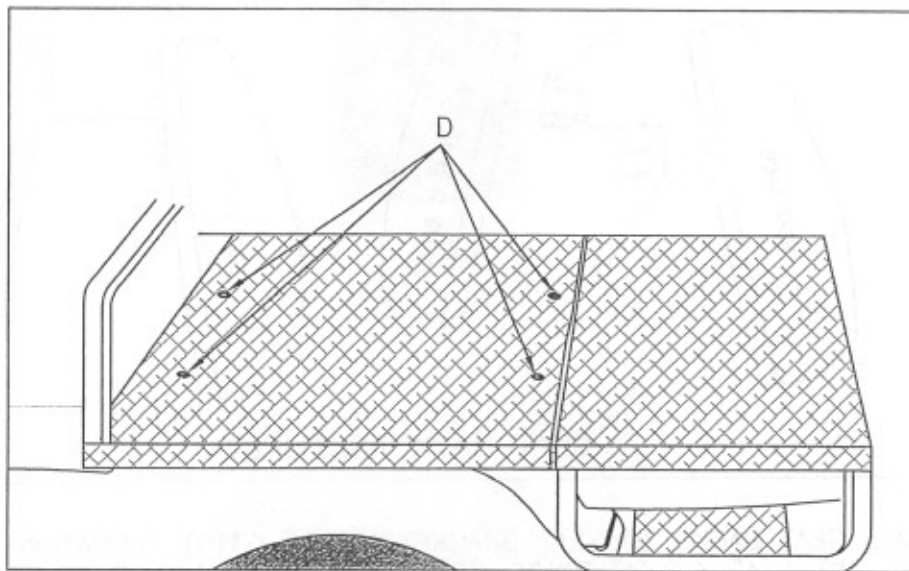
2 of 5

SCALE:

Not To Scale



STEP 4: INSTALL (2) "L" SHAPED BRACKETS (PART# 5034) FOR FOOTPAN, ATTACH AT HOLES FOR THE REAR BUMPER. (LOCATIONS C) POINT BRACKET UPWARD AND SECURE WITH:
 (2) 3/8" X 1" HHB BOLTS, (2) 3/8" FLATWASHERS, (2) 3/8" LOCKNUTS



STEP 5: INSTALL FOLDING SEAT ASSEMBLY TO STEEL UNDERCARRIAGE BRACKETS.
 USING: (4) 5/16" X 1" STAINLESS STEEL CARRIAGE BOLTS, (4) 5/16" FLATWASHERS,
 (4) 5/16" LOCKNUTS, (LOCATION D)

M & M VEHICLE CORP.

19873 Hwy 22 W. Mexico MO 65265
 573-581-4914

TITLE:

EC275G4
 INSTALLATION INSTRUCTIONS

NOTICE

THE INFORMATION CONTAINED HEREIN IS THE PROPERTY OF M & M VEHICLE CORP.
 AND IT SHALL NOT BE COPIED NOR USED IN ANY MANNER EXCEPT AS EXPRESSLY
 AUTHORIZED.

DRAWN BY:

RANDY HAERER

DATE:

AUG 3, 2006

DWG NO.

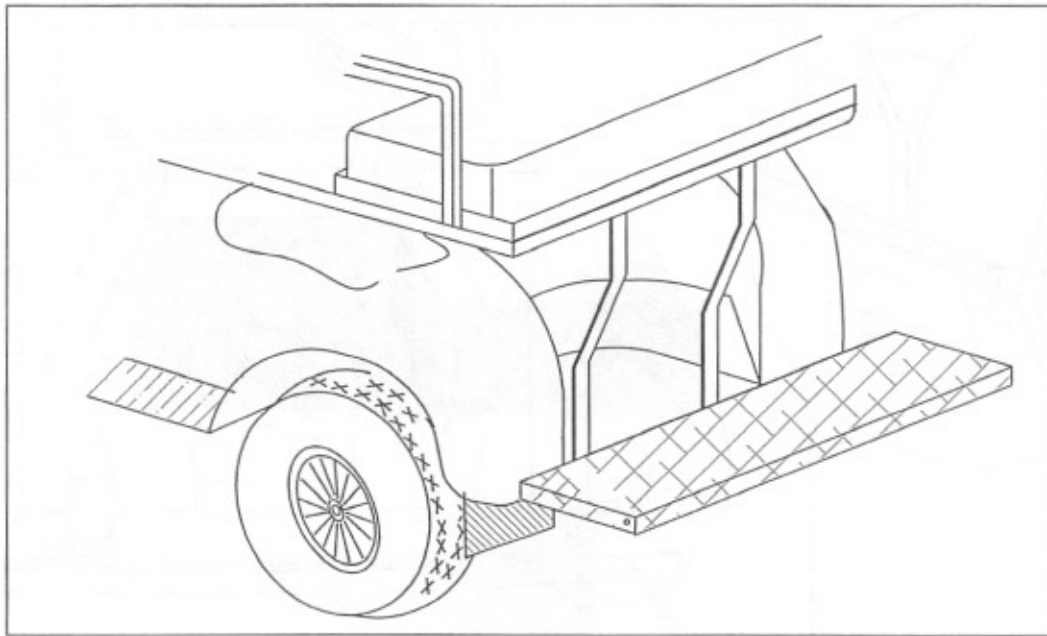
5038

SHEET:

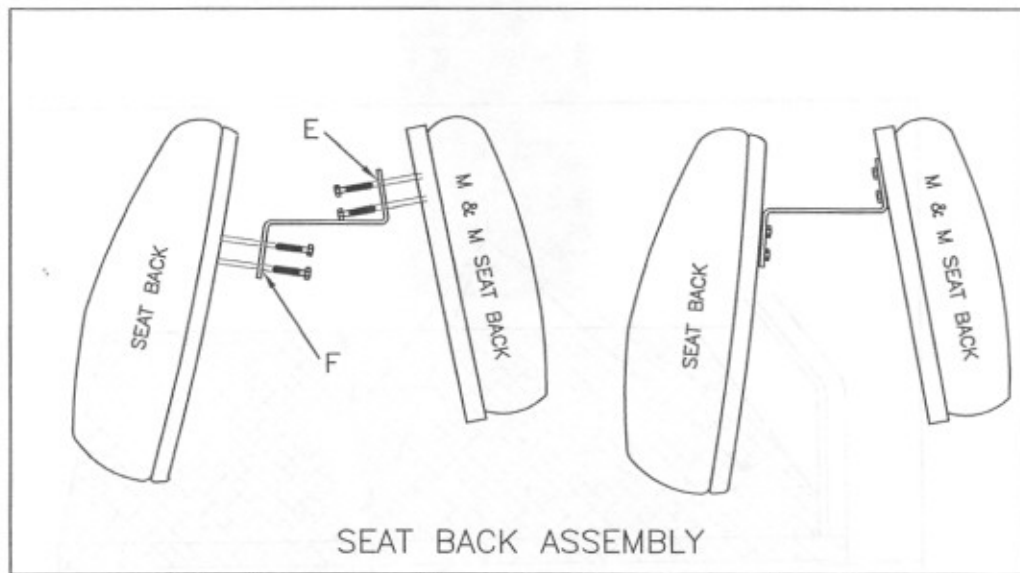
3 of 5

SCALE:

Not To Scale



STEP 6: INSTALL FOOTPAN TO "L" SHAPED BRACKETS (PART# 5034) INSTALLED IN STEP 4.
 USING: (2) 3/8" X 1" HHB BOLTS, (4) 3/8" FLATWASHERS, (2) 3/8" LOCKNUTS



STEP 7: INSTALL SEAT BACKS TO SEAT BRACKET (PART# 0310). (LOCATION E)
 USING: (8) 1/4" X 3/4" BOLTS, (8) 1/4" STARWASHERS
 REINSTALL YAMAHA SEAT BACKS TO SEAT BRACKET. (LOCATION F)
 USING: (4) 8mm x 20mm Hex Head Bolts, (4) 5/16" FLATWASHERS

M & M VEHICLE CORP.

19873 Hwy 22 W. Mexico MO 65265
 573-581-4914

TITLE:

EC275G4
 INSTALLATION INSTRUCTIONS

NOTICE

THE INFORMATION CONTAINED HEREIN IS THE PROPERTY OF M & M VEHICLE CORP.
 AND IT SHALL NOT BE COPIED NOR USED IN ANY MANNER EXCEPT AS EXPRESSLY
 AUTHORIZED.

DRAWN BY:

RANDY HAERER

DATE:

AUG 3, 2006

DWG NO.

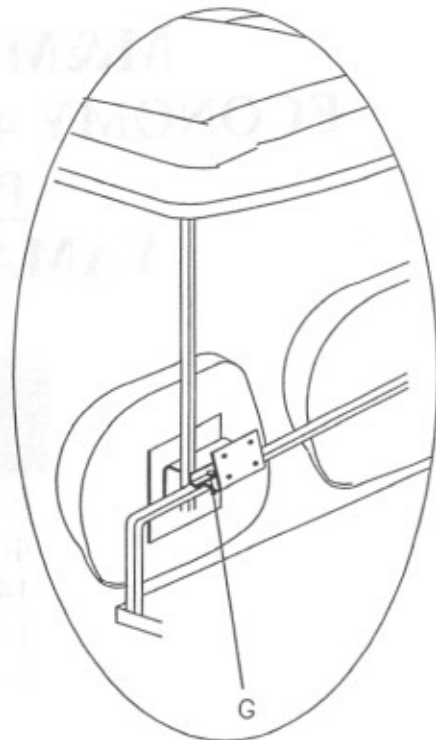
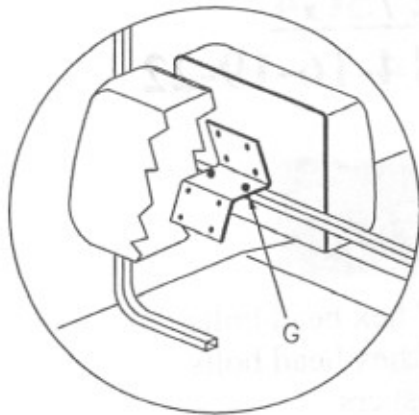
5038

SHEET:

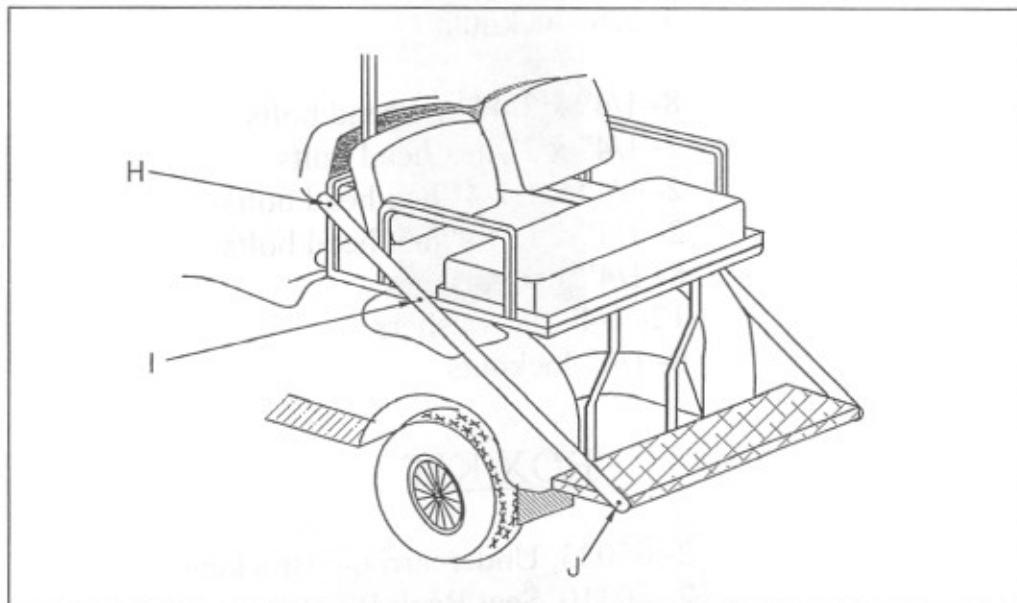
4 of 5

SCALE:

Not To Scale



STEP 8: INSTALL SEAT BRACKET (PART# 0310) TO CROSS BAR. (LOCATION G)
 USING: (4) 5/16" X 1 3/4" BOLTS, (8) 5/16" FLATWASHERS, (4) 5/16" LOCKNUTS



STEP 9: INSTALL (2) FLAT SUPPORT ARMS (PART# 0385), ONE ON EACH SIDE OF SEATS.
 USING: (2) 1/4" X 1 3/4" PAN HEAD BOLTS (LOCATION H), (2) 1/4" X 1 1/4" PAN HEAD BOLTS (LOCATION I), (2) 1/4" X 1" PAN HEAD BOLTS (LOCATION J), (12) 1/4" FLATWASHERS, (6) 1/4" LOCKNUTS. (LOCATION H)

TIGHTEN ALL BOLTS!

M & M VEHICLE CORP.

19873 Hwy 22 W. Mexico MO 65265
 573-581-4914

TITLE:

EC275G4
 INSTALLATION INSTRUCTIONS

NOTICE

THE INFORMATION CONTAINED HEREIN IS THE PROPERTY OF M & M VEHICLE CORP. AND IT SHALL NOT BE COPIED NOR USED IN ANY MANNER EXCEPT AS EXPRESSLY AUTHORIZED.

DRAWN BY:

RANDY HAERER

DATE:

AUG 3, 2006

DWG NO.

5038

SHEET:

5 of 5

SCALE:

Not To Scale

M&M VEHICLE CORP.
ECONOMY 4-PASSENGER PACKAGE
Part# EC275G4
YAMAHA- G-14-16-19-22

BOLT KIT

- 4- 8mm x 20mm
- 2- 5/16" x 2 1/2" hex head bolts
- 4- 5/16" x 1 3/4" hex head bolts
- 14- 5/16" flat washers
- 14- 5/16" locknuts
- 4- 5/16" x 1" carriage bolts

- 4- 3/8" x 1" hex head bolts
- 6- 3/8" flat washers
- 4- 3/8" locknuts

- 8- 1/4" x 3/4" hex head bolts
- 2- 1/4" x 1" hex head bolts
- 2- 1/4" x 1 1/4" hex head bolts
- 2- 1/4" x 1 3/4" hex head bolts
- 8- 1/4" star washers
- 12- 1/4" flat washers
- 6- 1/4" locknuts

BOX KIT

- 2- #5023, Undercarriage Brackets
- 2- #0310, Seat Back Brackets
- 2- #5034, L-Shaped Brackets
- 1- Bolt kit
- 1- Instructions

*Property of M&M Vehicle Corp. Mexico, MO
Any reprint without prior authorization is prohibited.*